

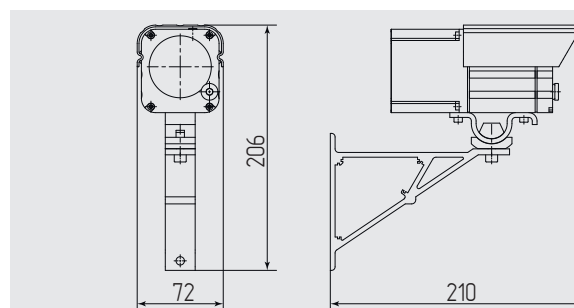
Helios IR-1 FHD ZOOM

Infrared Illuminator for high resolution camera with varifocal lens

MICROLIGHT



Wavelength	850 nm
Angle	7...45°
Distance	36...250 m
Built-in photocell	yes
Supply voltage	12...24 V AC/DC
Power consumption	17 W
Ingress protection	IP67, IK08
Operation temperature	-40...+50 °C
Weight	0.7 kg



Angle, °	Distance, m	Horizontal spot size, m
7	250	32
10	200	35
15	130	34
20	100	35
25	80	35
30	65	35
35	54	34
40	44	32
45	36	29



built-in current regulator



increased efficiency of removal of heat from the radiating elements



manual stepless adjustment of the angle of radiation, and range of illumination



IR light filter with minimal loss of radiation power



lenses system, amplifying the energy of the light beam



tripping delay photocell to prevent accidental turn off



built-in photocell



supply voltage 12...24 AC/DC

Options available:

w/o built-in photocell

PoE IEEE 802.3at (PoE+)

RAL color available

