



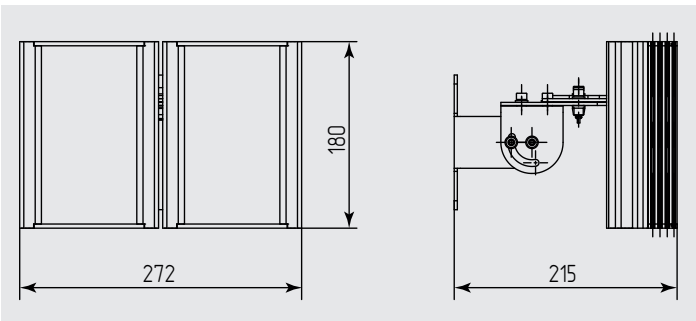
Helios IR-294-L x2

Infrared Illuminator with adjustable angle

MICROLIGHT



Supply voltage	185...265 B AC
Power consumption	54.0 W
Built-in photocell	yes
Ingress protection	IP67, IK10
Operation temperature	-40...+50 °C
Weight	4.4 kg



Wavelength, nm	Angle, ° (min - max)	Distance, m (max - min)	Horizontal spot size, m (min - max)
850	10 - 20	340 - 240	59 - 83
	15 - 30	220 - 155	57 - 80
	30 - 60	115 - 80	59 - 81
	45 - 90	78 - 55	57 - 78
	60 - 110	57 - 40	57 - 66
	90 - 140	40 - 28	57
	120 - 170	30 - 21	52
940	10 - 20	155 - 110	27 - 38
	15 - 30	92 - 65	24 - 34
	30 - 60	54 - 38	28 - 38
	45 - 90	34 - 24	26 - 34
	60 - 110	27 - 19	27 - 31
	90 - 140	20 - 14	28
	120 - 170	14 - 10	24

- high-performance surface-mount LEDs
- increased efficiency of removal of heat from the radiating elements
- IR light filter with minimal loss of radiation power
- built-in current regulator
- tripping delay photocell to prevent accidental turn off
- built-in photocell
- Supply voltage 185...265 V AC
- power over ethernet (UPoE) IEEE 802.3at
- supply voltage 12...24 V AC/DC

Optional:
 w/o built-in photocell
 PoE IEEE 802.3at (UPoE)
 supply voltage 12...24 V AC/DC
 RAL color available

Distance of illumination is indicated for the camera with a matrix of 1.3 " 2Mpix, with Sence-Up mode off.
 To determine the approximate distance of the backlight for analog videocameras use a correction factor of 2.5 - 3.0.

