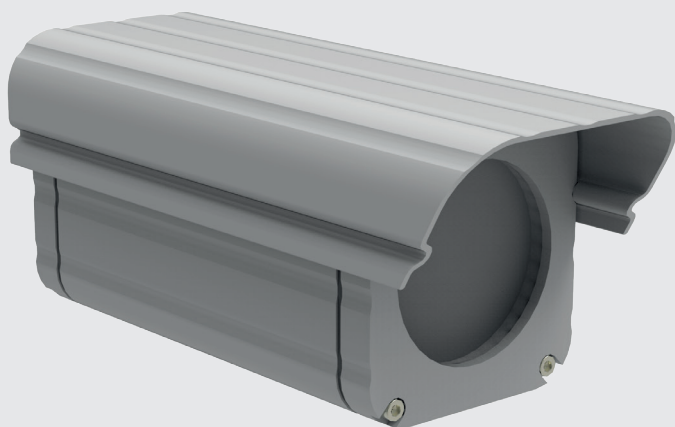


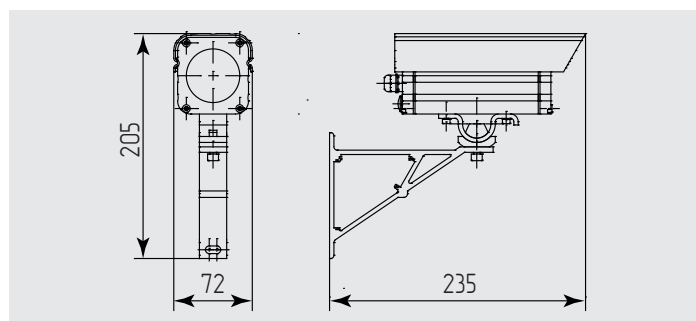
# Helios WL-1 ZOOM

Varifocal Illuminator white light









MICROLIGHT



Color temperature	6500 K
Angle	2...85°
Luminous intensity at 2°	54000 cd
Built-in photocell	yes
Supply voltage	12...24 V AC/DC
Power consumption	4.0 W
Ingress protection	IP67, IK08
Operation temperature	-40...+50 °C
Weight	0.74 kg



Angle, °	illumination, lx					
	1		10		50	
	distance, m	horizontal spot size, m	distance, m	horizontal spot size, m	distance, m	horizontal spot size, m
2	210	7.5	65	2.2	30	1.1
5	95	8.5	28	2.5	13	1.1
10	50	9.0	15	2.7	7	1.2
15	38	10.0	11	3.0	5	1.3
30	24	13.0	7	3.7	3.4	1.8
45	20	15.0	6	5.0	2.8	2.3
50	17	16.0	5.5	5.2	2.4	2.3
60	12	14.0	3.5	4.2	1.7	2.0
85	10	19.0	3	5.5	1.4	2.5

-  built-in current regulator
-  low power consumption
-  manual stepless adjustment of the angle of radiation, and range of illumination
-  lenses system, amplifying the energy of the light beam
-  tripping delay photocell to prevent accidental turn off
-  built-in photocell
-  power over ethernet (PoE) IEEE 802.3af
-  supply voltage 12...24 V AC/DC

### Optional:

- w/o built-in photocell
- PoE IEEE 802.3af (PoE)
- RAL color available

